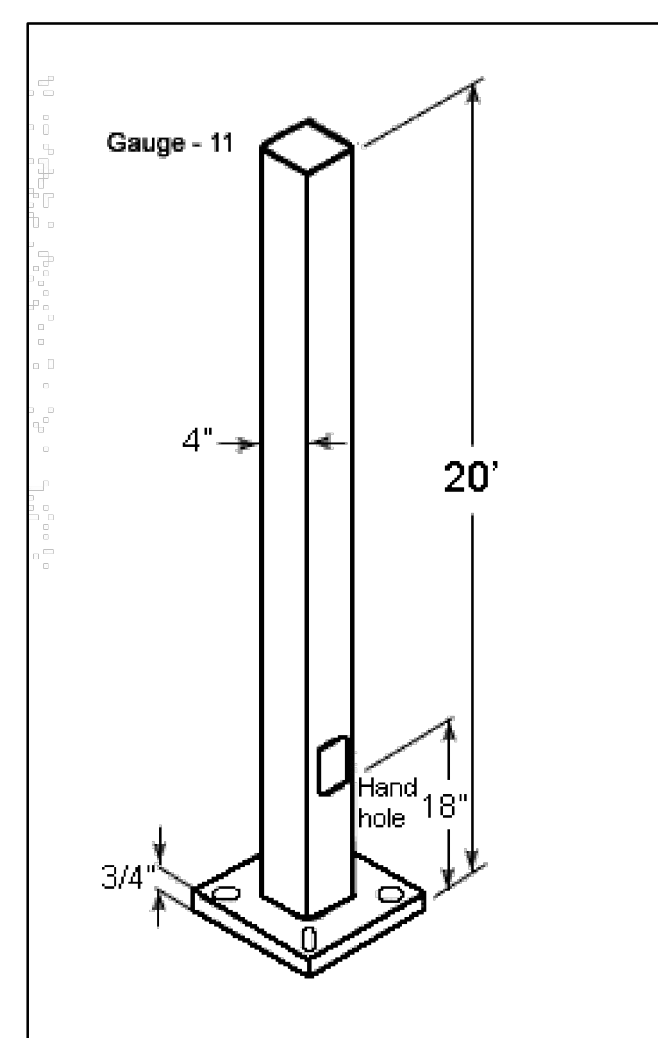
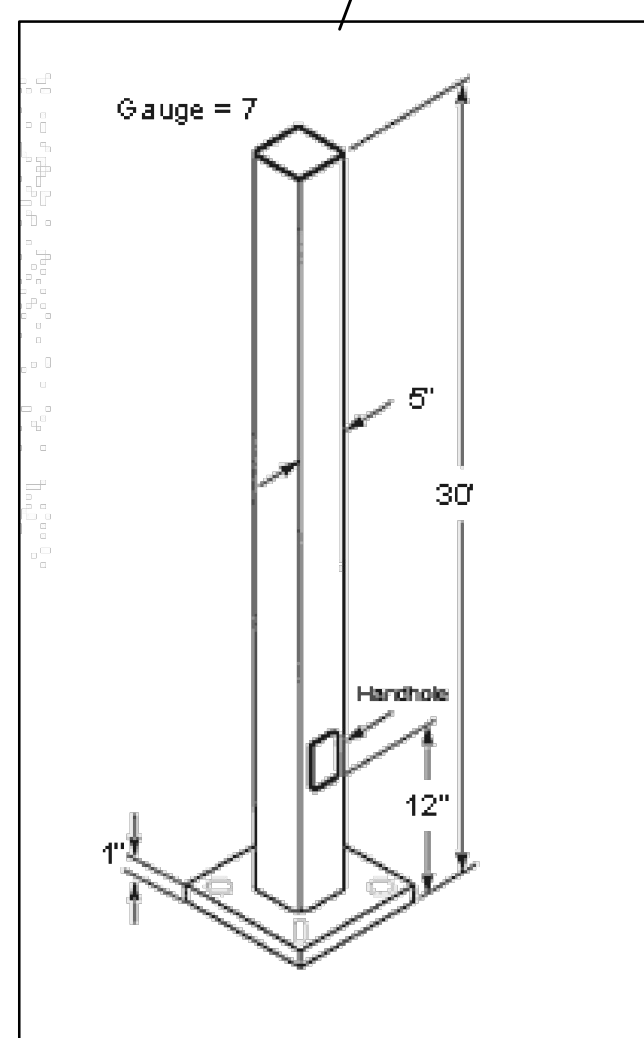


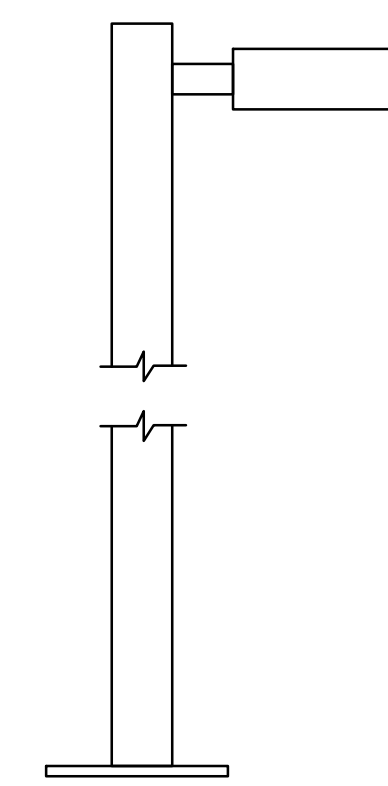
PROPOSED SIGN DESIGN
 SIZE: 5FTX7FT
 CEDAR POST WITH INSET
 SIGN.
 BARN STYLE SINGLE LIGHT,
 EACH SIDE.

ENTRY SIGN DETAIL
 SCALE:

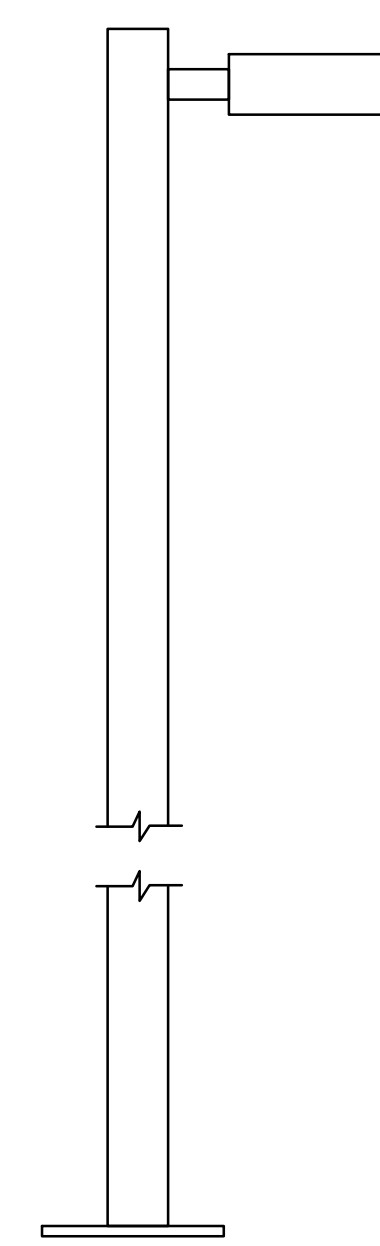
NOTES:
 1. FIXTURE 'A' AND FIXTURE 'B' SERVE AS SECURITY LIGHTING FOR THE FACILITY AND WILL BE CONTROLLED BY PHOTOCELL. THESE ARE FCO HPS FIXTURES.
 2. SUPPLEMENTAL LIGHTING PROVIDED BY FIXTURE 'C' ON A TIMER ONLY. INTENT OF USE IS FOR THE DURATION OF PARKING A VEHICLE, APPROXIMATELY 15 MINUTES MAX, THEN FIXTURE 'C' WILL DE-ENERGIZE & LIGHTING LEVELS RETURN TO SECURITY ONLY.



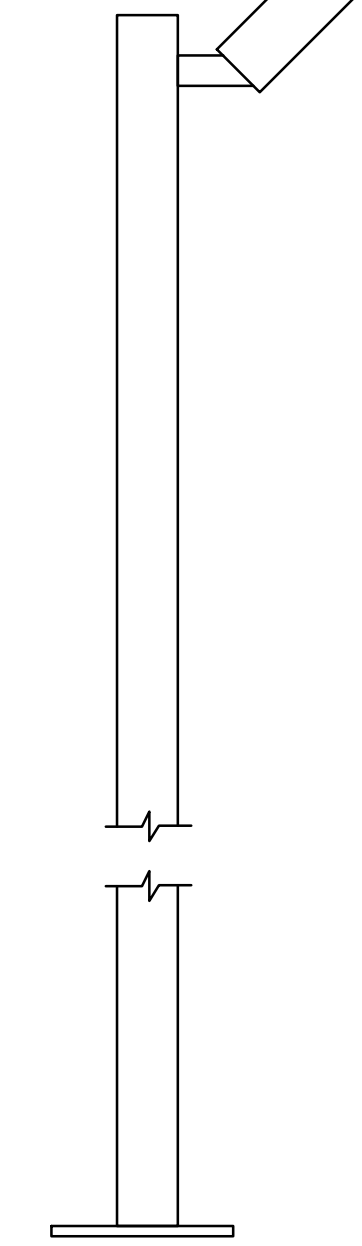
SITE LIGHT DETAIL
 SCALE:



LIGHT 'A':
 MCGRAW-EDISON
 SIMILAR TO COOPER
 LUMARK
 FCO
 HPS - 250W
 ON PHOTOCELL
 20FT POLE

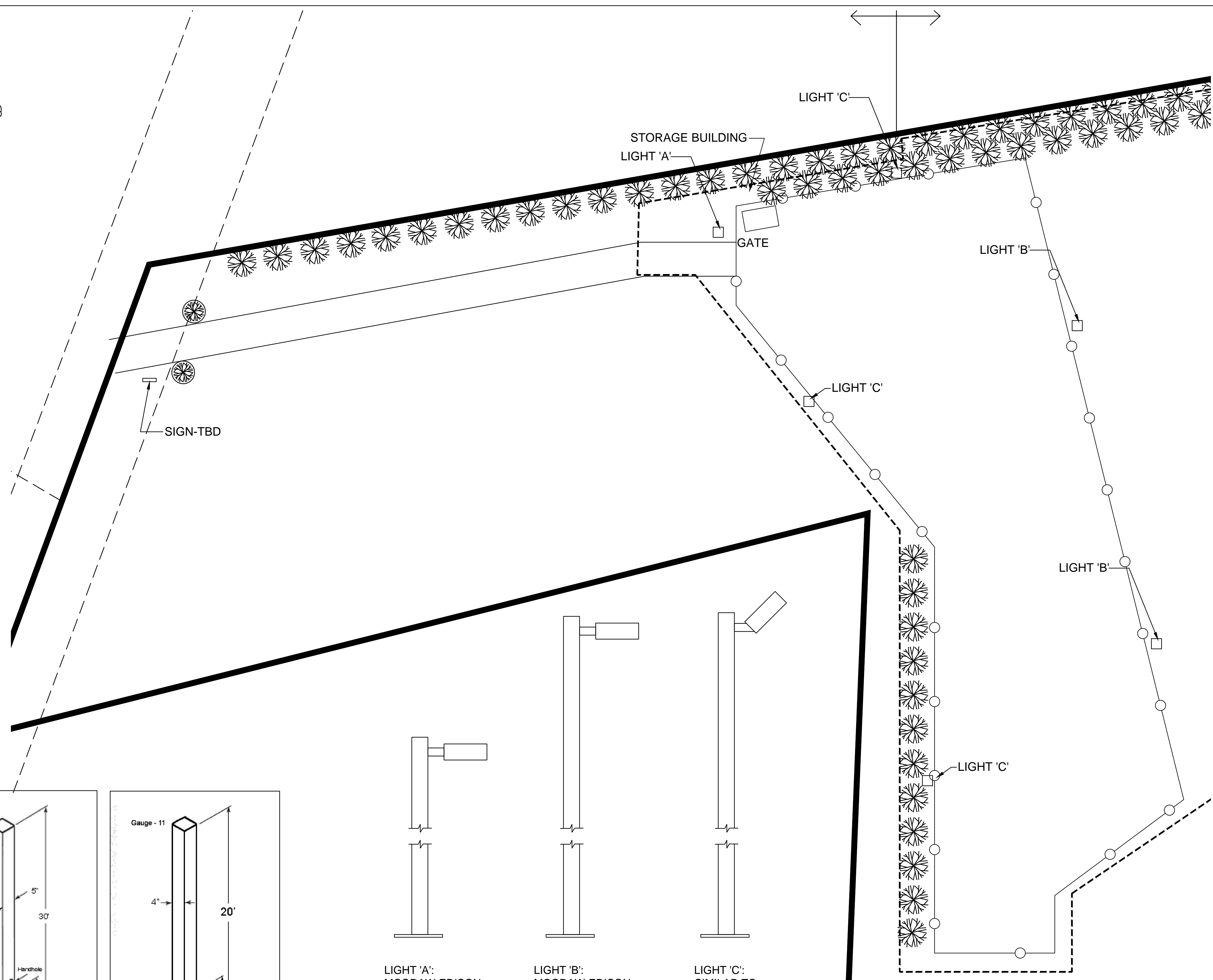


LIGHT 'B':
 MCGRAW-EDISON
 SIMILAR TO COOPER
 LUMARK
 FCO
 HPS - 250W
 ON PHOTOCELL
 30FT POLE



LIGHT 'C':
 SIMILAR TO
 LITHONIA QFL300
 ON 15 MIN PUSHBUTTON
 TIMER
 30FT POLE

ENLARGED LIGHTING PLAN
 SCALE:



OWNERS/OPERATORS
 JASON RIVENBARK

PEA RIDGE SELF STORAGE
 PEA RIDGE ROAD
 NEW HILL, NC

REVISIONS

1 - 3/10/14 - CCAC/CM

12-01-13

SHEET

C6.0

OF

COPYRIGHT © 2013