

## SPECIFICATIONS:

Item	Specification	Details
<b>General Performance</b>	Spacing Criteria	Available upon request
	Color Temperature	5000K
	Lumens Delivered	1640
	Efficacy	50 lumen/watt
	Color Consistency	Proprietary binning for uniform color
	Lumen Maintenance (L70)	50,000 hours
<b>Electrical</b>	Power Factor	Over 98%
	Input Voltage	120V-277V 50/60 Hz
	Power Consumption	33 Watts
<b>Physical</b>	Dimensions	14.25" x 9.0" x 7.5"
	Weight	6.15 lbs
	Housing	Aluminum
	Lens	High quality shatterproof glass
	Mounting	Can mount to recessed outlet box or direct to surface.
	Operating Temperature	-30°F to 130°F
	Humidity	20% - 85% RH, non condensing
<b>Certification</b>	Certification	CETL, FCC, LM79, LM80
	Material Usage	RoHS compliant; no mercury
	Environment	Indoor / Outdoor
	LED Class	L70 rated to 50,000 hours

MaxLite

## lighting facts<sup>CM</sup>

A Program of the U.S. DOE

---

<b>Light Output (Lumens)</b>	<b>1640</b>
<b>Watts</b>	<b>33</b>
<b>Lumens per Watt (Efficacy)</b>	<b>50</b>

---

<b>Color Accuracy</b>	<b>68</b>
Color Rendering Index (CRI)	

---

Light Color  
Correlated Color Temperature (CCT)

**5200 (Daylight)**

2700K    3000K    4500K    6500K

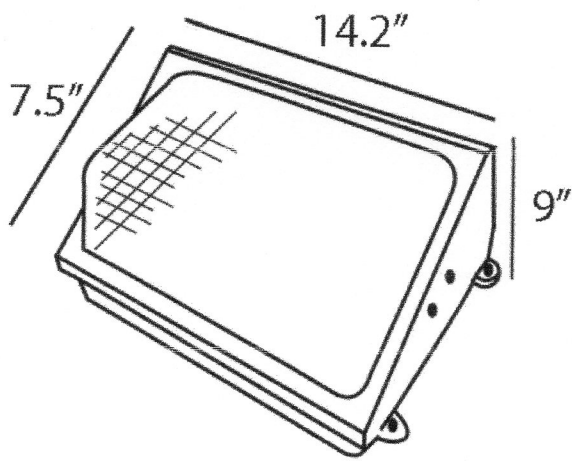
All results are according to IESNA, LM-79-2008: Approved Method for the Electrical and Photometric Testing of Solid-State Lighting. The U.S. Department of Energy (DOE) verifies product test data and results.

Visit [www.lightingfacts.com](http://www.lightingfacts.com) for the Label Reference Guide.

Registration Number: WJP2-GA8KDP  
Model Number: MLSWP30LED50  
Type: Outdoor wall pack

Lighting layouts and spacing criteria available upon request

## DIMENSIONS:



lighting facts  
LED Product Partner



**MAXLITE**