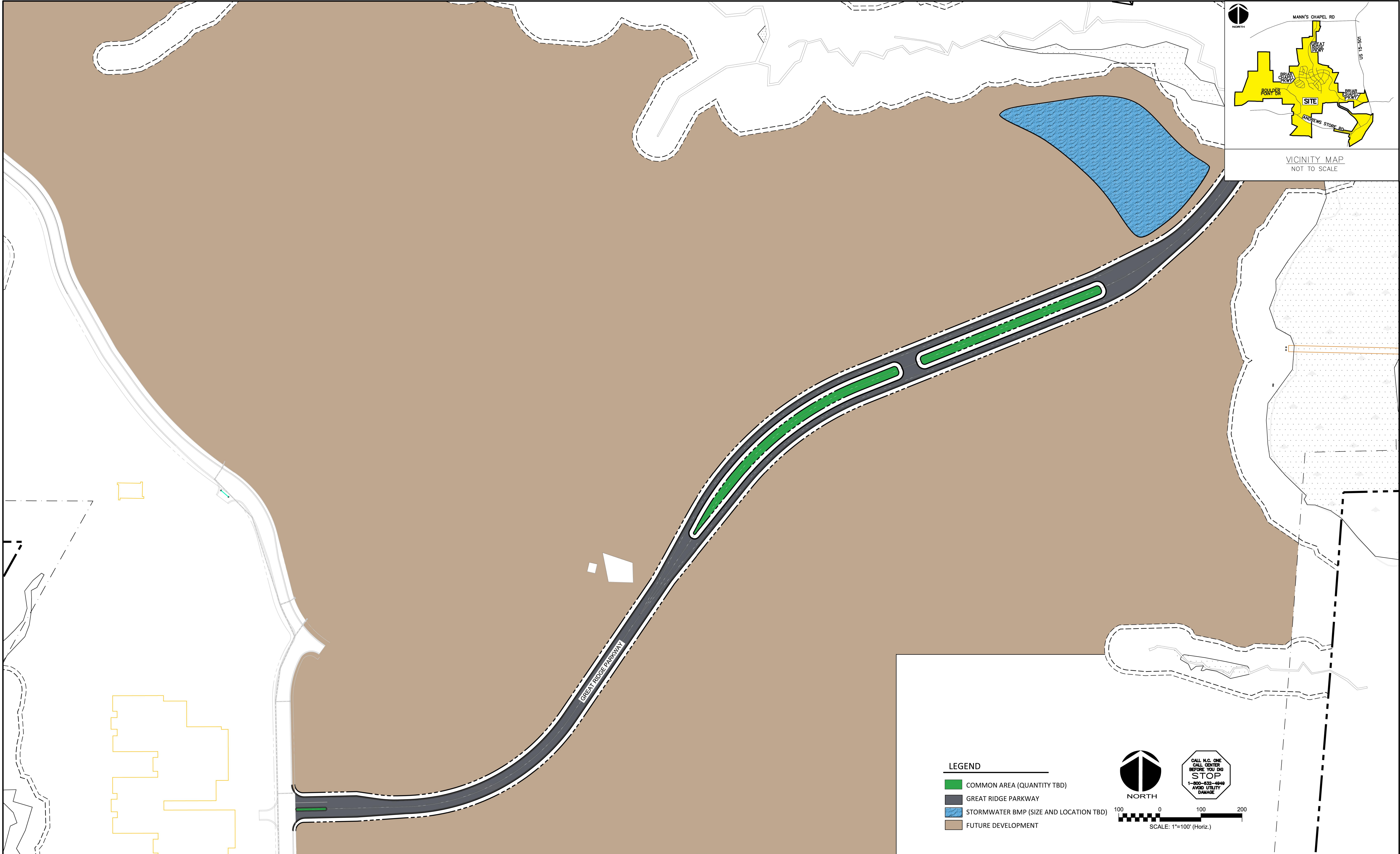


VICINITY MAP
NOT TO SCALE



LEGEND

- COMMON AREA (QUANTITY TBD)
- GREAT RIDGE PARKWAY
- STORMWATER BMP (SIZE AND LOCATION TBD)
- FUTURE DEVELOPMENT



NORTH



SCALE: 1"=100' (Horiz.)



REV. NO.	DESCRIPTIONS	DATE

SEAL

SEAL

MCKIM & CREED
 1730 Varsity Drive, Suite 500
 Raleigh, North Carolina 27606
 Phone: (919)233-8091, Fax: (919)233-8031
 F-1222
 www.mckimcreed.com

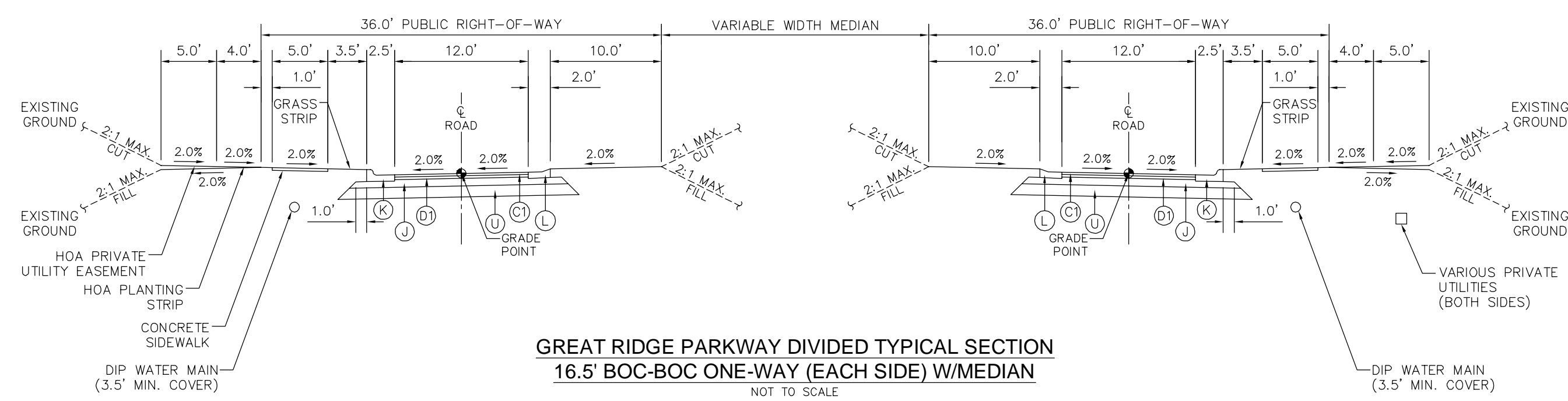
BRIAR CHAPEL™
 by
Newland COMMUNITIES

**BRIAR CHAPEL
 BC SOUTH
 CHATHAM COUNTY, NORTH CAROLINA**

GREAT RIDGE PARKWAY SITE PLAN

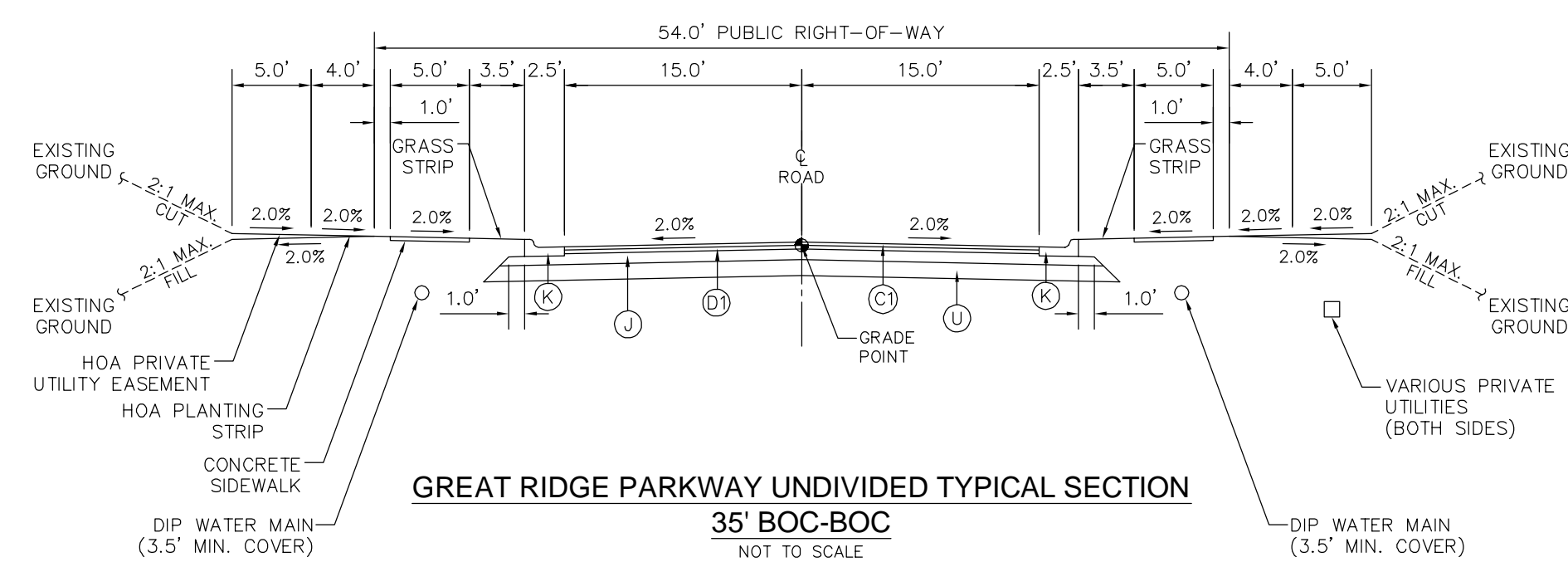
DATE:	SEPTEMBER 25, 2012
MCE PROJ. #	02735-0080
DRAWN:	GCA
DESIGNED:	GCA
CHECKED:	CHS
PROJ. MGR.	CHS
STATUS:	PRELIMINARY

SCALE	MIC FILE NUMBER
HORIZONTAL: 1" = 100'	DRAWING NUMBER C1
VERTICAL: N/A	REVISION



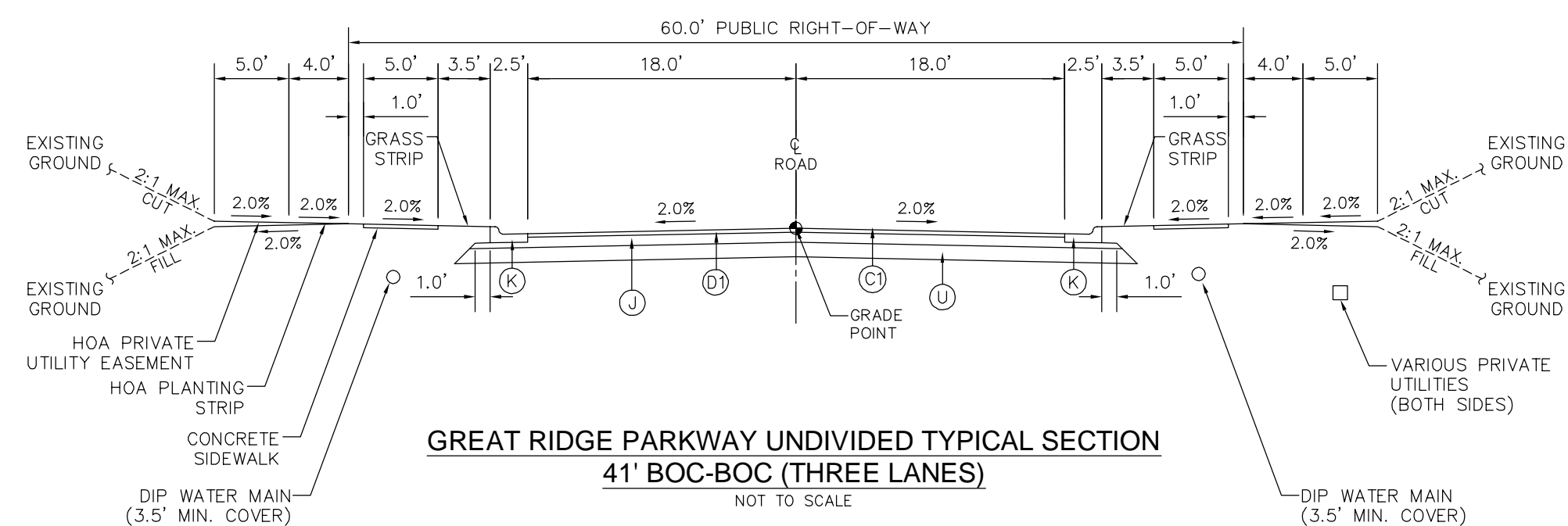
GREAT RIDGE PARKWAY DIVIDED TYPICAL SECTION
16.5' BOC-BOC ONE-WAY (EACH SIDE) W/MEDIAN
NOT TO SCALE

PAVEMENT SCHEDULE	
(C)	2.5" SF9.5A ASPHALT SURFACE COURSE (2" MAXIMUM SURFACE COURSE LIFT) AT AN AVERAGE RATE OF 275 LBS. PER SQ. YARD.
(D)	3.0" 119.0B ASPHALT INTERMEDIATE COURSE AT AN AVERAGE RATE OF 342 LBS. PER SQ. YARD.
(J)	8" COMPACTED ABC STONE BASE COURSE
(K)	30" STANDARD CURB AND GUTTER
(L)	24" "SPILLING" VALLEY CURB AND GUTTER
(U)	COMPACTED SUBGRADE



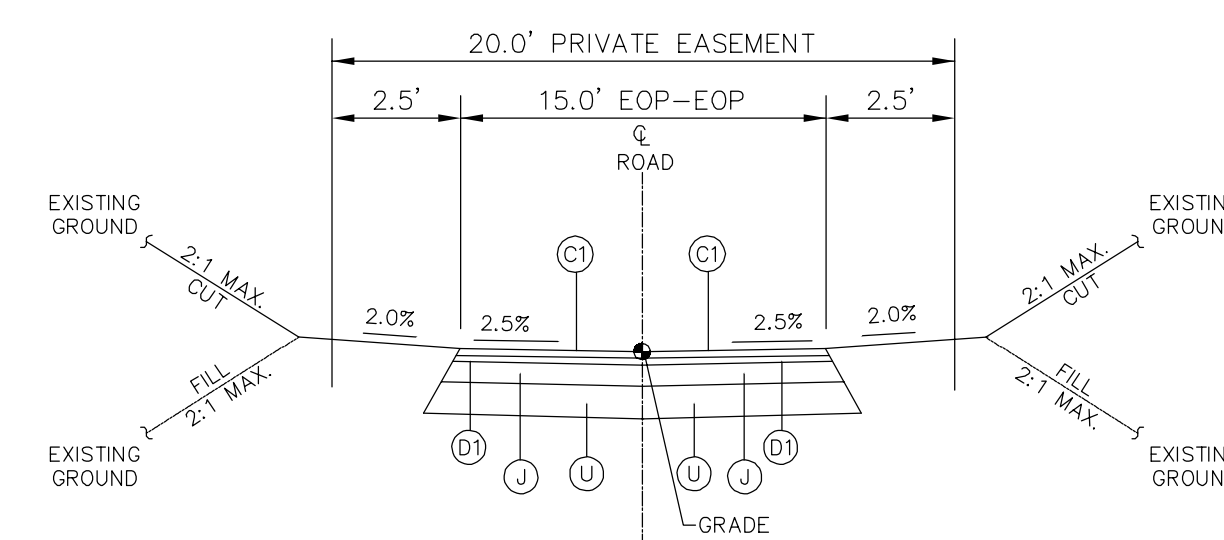
GREAT RIDGE PARKWAY UNDIVIDED TYPICAL SECTION
35' BOC-BOC
NOT TO SCALE

PAVEMENT SCHEDULE	
(C)	2.5" SF9.5A ASPHALT SURFACE COURSE (2" MAXIMUM SURFACE COURSE LIFT) AT AN AVERAGE RATE OF 275 LBS. PER SQ. YARD.
(D)	3.0" 119.0B ASPHALT INTERMEDIATE COURSE AT AN AVERAGE RATE OF 342 LBS. PER SQ. YARD.
(J)	8" COMPACTED ABC STONE BASE COURSE
(K)	30" STANDARD CURB AND GUTTER
(U)	COMPACTED SUBGRADE



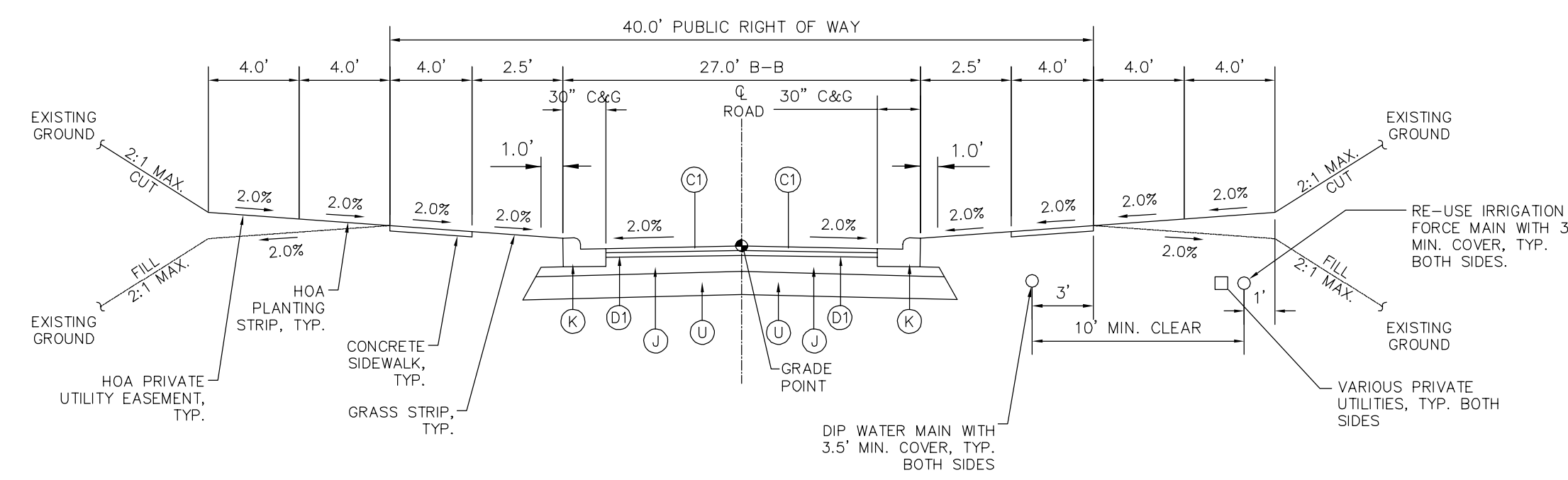
GREAT RIDGE PARKWAY UNDIVIDED TYPICAL SECTION
41' BOC-BOC (THREE LANES)
NOT TO SCALE

PAVEMENT SCHEDULE	
(C)	2.5" SF9.5A ASPHALT SURFACE COURSE (2" MAXIMUM SURFACE COURSE LIFT) AT AN AVERAGE RATE OF 275 LBS. PER SQ. YARD.
(D)	3.0" 119.0B ASPHALT INTERMEDIATE COURSE AT AN AVERAGE RATE OF 342 LBS. PER SQ. YARD.
(J)	8" COMPACTED ABC STONE BASE COURSE
(K)	30" STANDARD CURB AND GUTTER
(U)	COMPACTED SUBGRADE



15.0' EOP-EOP PRIVATE ALLEY
NOT TO SCALE

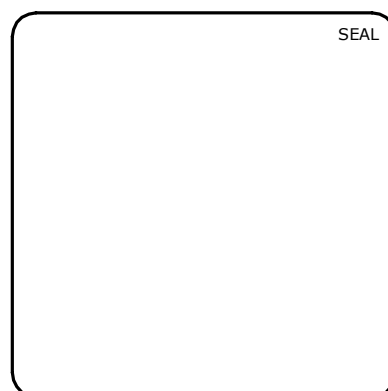
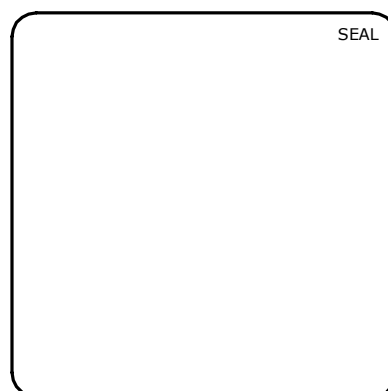
PAVEMENT SCHEDULE	
(C)	1.0" SF9.5A ASPHALT SURFACE COURSE AT AN AVERAGE RATE OF 110 LBS. PER SQ. YARD.
(D)	2.0" S9.5B ASPHALT SURFACE COURSE AT AN AVERAGE RATE OF 224 LBS. PER SQ. YARD.
(J)	8" COMPACTED ABC STONE BASE COURSE
(U)	COMPACTED SUBGRADE



27.0' B-B RESIDENTIAL STREET
NOT TO SCALE

PAVEMENT SCHEDULE	
(C)	1.0" SF9.5A ASPHALT SURFACE COURSE AT AN AVERAGE RATE OF 110 LBS. PER SQ. YARD.
(D)	2.0" S9.5B ASPHALT SURFACE COURSE AT AN AVERAGE RATE OF 224 LBS. PER SQ. YARD.
(J)	8" COMPACTED ABC STONE BASE COURSE
(K)	30" CURB AND GUTTER
(U)	COMPACTED SUBGRADE

REV. NO.	DESCRIPTIONS	DATE
1	PRELIMINARY REVIEW BY CLIENT	2012.08.31
	REVISIONS	



MCKIM & CREED
1730 Varsity Drive, Suite 500
Raleigh, North Carolina 27606
Phone: (919)233-8091, Fax: (919)233-8031
F-1222
www.mckimcreed.com

BRIAR CHAPEL™
by
Newland COMMUNITIES

BRIAR CHAPEL
GREAT RIDGE PARKWAY EXTENSION
CHATHAM COUNTY, NORTH CAROLINA
ROADWAY TYPICAL SECTIONS

DATE: AUGUST 31, 2012	SCALE: D2.X	M&C FILE NUMBER: D2.2
MCE PROJ. # 02735-0080	HORIZONTAL: N/A	DRAWING NUMBER: D2.2
DRAWN: GCA	VERTICAL: N/A	
DESIGNED: GCA		
CHECKED: CHS		
PROJ. MGR.: CHS		
STATUS: FOR PERMIT ONLY	REVISION: 1	